



Technical specification

Outdoor light with incorporated electronic gear for LED lamps. Cylindrical reflector with optional lens spread, 15x30, 60x90, 30x60, 30x110 and 30x140. Safety glass required. Yoke, lamp and gear housing are made in die-cast aluminum. Electronic ballast are built in to fixture housing for optimal cooling, which increase the product lifetime and enhance the performance of the light source.

Model and colors

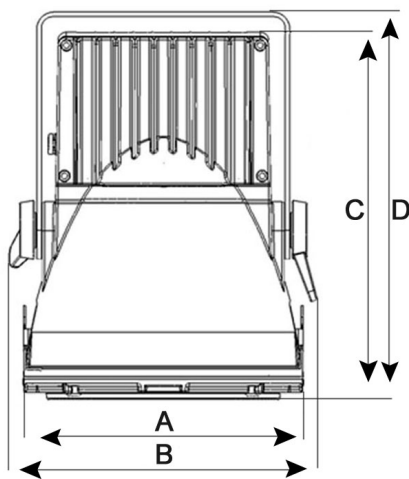
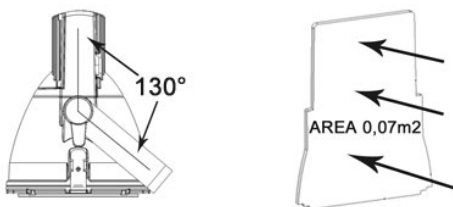
Available in grey, other colors on request.

Area of use

Outdoor, arena and industrial use.

Accessories

On request, elumdat files of the different lenses are provided.



A 253 B 271 C 318 D 336 (mm)

Technical data

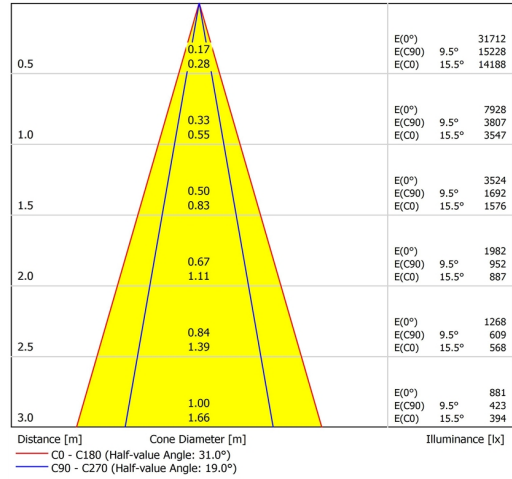
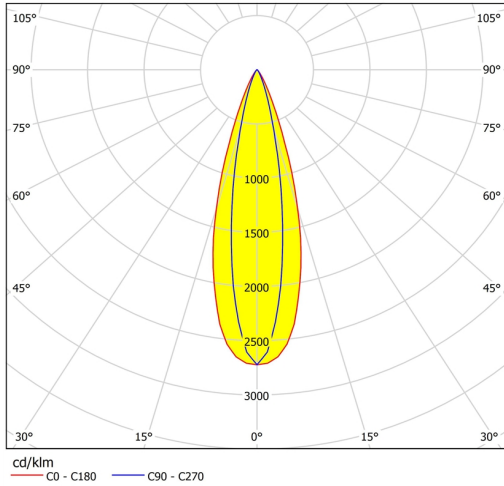
Mains (input) voltage	220-240 V
Total weight	3,9 kg
Form of protection	IP 66, class I
Color temperature	3 000 or 4 000 K
Luminaire output	1814/ 1644/ 1731 lm
Lamp type	LED
Operating position	Universal
Energy consumption	39 W
Control gear	Electronic
Start time	Instant
Ballast	Built in
Safety glass	Included
Reflector	High quality anodized cylindrical reflector
Lens	15x30, 30x60, 60x90, 30x110, 30x140

Art no	Description	Color
180-500-30	POLARIS LED 15x30 dgr	Grey
180-501-30	POLARIS LED 30x60 dgr	Grey
180-502-30	POLARIS LED 60x90 dgr	Grey

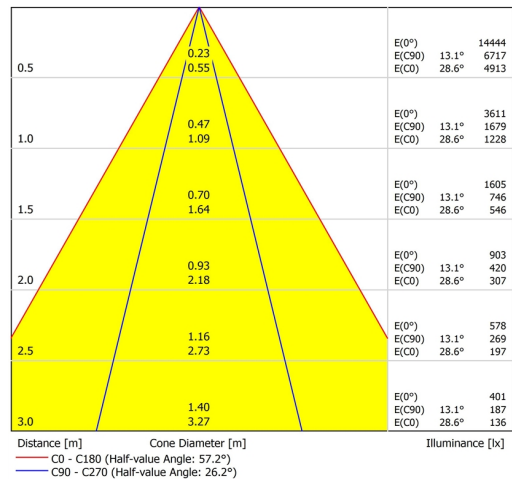
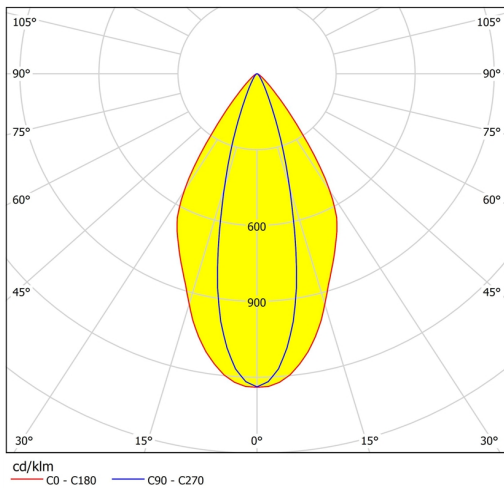
Note

Final shipping destination may require minor modifications of components as well as article numbers, be sure to state the country in which the fixtures will be used.

Lens 15x30°



Lens 30x60°



Lens 60x90°

