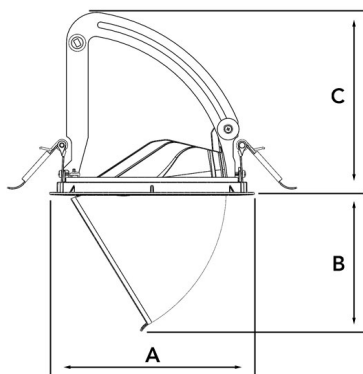




Oval	
60° / 40°	
m	ø
1.0	1.13
2.0	2.25
3.0	3.38



A 170 B 115,5 C 150 (mm)



Saw instruction: ø 160 mm

Amber 3000/4000 OVAL REFLECTOR

Technical specification

Retractable and rotating down light with chip on board and separated NL Power LED electronic ballast for optimal life time and light flow performance. High quality Oval beam reflector, which reduces the hotspot and reduces the risk of damaging the meat and sensitive fresh food items. Lamp housing of die-cast aluminium for optimal cooling and low weight.

Model and colors Available in white, black and grey.

Area of use Down light for indoor applications.

Technical data

Mains (input) voltage	220-240 V
Total weight	0,92 kg
Form of protection	IP 20, class III
Color temperature	2000-5000 K
Color rendering index (CRI)	90
Light source	LED
Operating position	360°/60°
Start time	Instant
Driver	Stand alone, included
Optics	Anodized aluminium reflector
Beam spreads	Oval

Art no	Description	Color
282-731-10	Oval reflector, 3000lm	White
282-731-20	Oval reflector, 3000lm	Black
282-731-30	Oval reflector, 3000lm	Grey
282-733-10	Oval reflector, 4000lm	White
282-733-20	Oval reflector, 4000lm	Black
282-733-30	Oval reflector, 4000lm	Grey
168-25	Support plate	-

Note

The above article numbers applies to 930.

Product available with Food COB on request. Product available with DALI option on request. Final shipping destination may require minor modifications of components as well as article numbers, be sure to state the country in which the fixtures will be used.